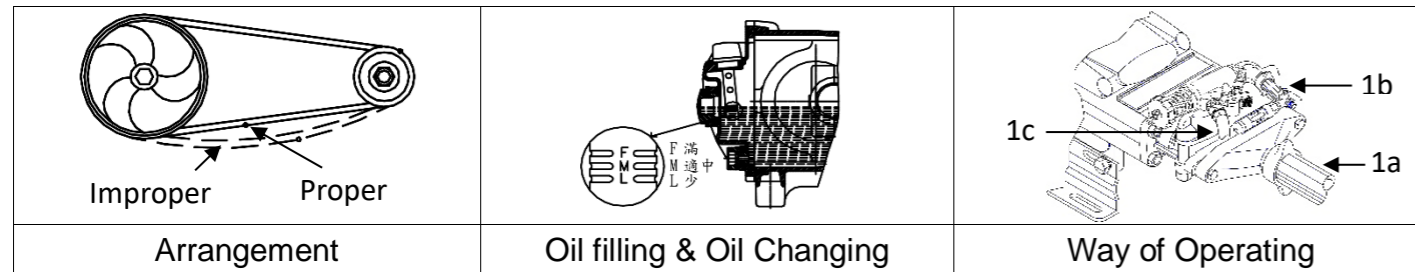


TS-60AP Power Sprayer Manual



1. Arrangement

Adjust the belt and pulley in order to make the belt straightly. The V-belt must not be set loosely as to slip away or drop out of its position.

2. Oil Filling & Oil Changing

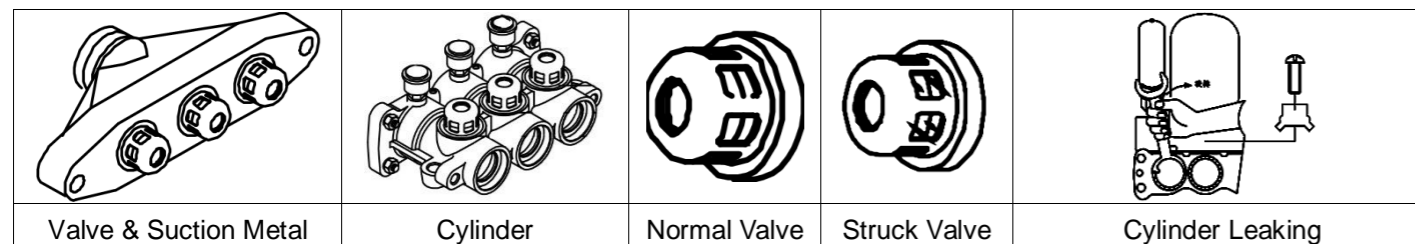
Fill #40 Oil through the oil hole. Keep the oil level just half of the oil gauge. Change the oil after 50 hours use for the first time and every 100 hours since then. The proper time for changing oil is after operating and the machine is still warm. Remove the drain plug and begin draining.

3. Grease Filling

The three grease cups on the cylinder must always be filled with grease. After using for every two hours, wind the grease cups about two circles per time.

4. Spray

- Fix firmly the suction hose (1a), overflow hose (1b) and spraying hose (1c) on the suction metal, over flow body and cock respectively. Make sure they must be set firmly and let no air leak out.
- Operate the power and start the power sprayer.
- Turn off the cock.
- After the power sprayer is normally operating, adjust the pressure screw. Then turn on the cock and begin operating the power sprayer.



5. Trouble Shooting

- Feeding failure & pressure instability :
 - Check whether the suction hose is any leaking of air. Tight it up.
 - Check whether the strainer is stuck. Clean it up, if necessary.
 - Turn on the cock for a little while to let out the air left in the feeder and then turn it off.
 - Check whether the suction metal, cylinder and six valves are stuck. Clean it up, if necessary.
 - Check the flat valve and valve seat to see whether they are damaged.
 - Check whether the valve springs are damaged.
- Cylinder Leaking :
 - Take the stopper away from the cylinder with screw driver.
 - Remove the plunger cover and wind by the three grands on the cylinder (for 1/3 round ~ 1/2 round). If leaking is still uncontrollable, change the V-packing in the cylinder.
- Pressure Falling :
 - Check whether the V-belt is loose.
 - Check whether the spraying hose and coupling packing of spraying hose are broken. Renew the parts if necessary.

6. Maintenance

- Operate the power sprayer with clean water for about 5 minutes after use in order to clean the pesticide left in the machine.
- Remove the suction hose, over flow hose, and spraying hose. Then wipe every part of the machine dry.
- Check the oil in the crank case. Refill oil, if necessary.
- Check whether every screw is set firmly.
- Check whether there is any leak of oil.

7. Caution

- During operation, please don't reach out your hands into space of revolving belt wheel to prevent you from being harmed.
- Please check if there is enough oil before operating machine.
- Please check if gasoline, diesel oil or cooling water are enough before operating machine.
- Please check if contact of electric source and insulation are under good condition before operating machine.
- The spraying machine sprayed by pesticide or chemical liquid is prohibited to be used for pumping water to prevent poison.
- Please renew pressure gauge if it is damaged in order to maintain machine's safety.
- Loosen pressure adjusting screw counterclockwise, after using this machine.

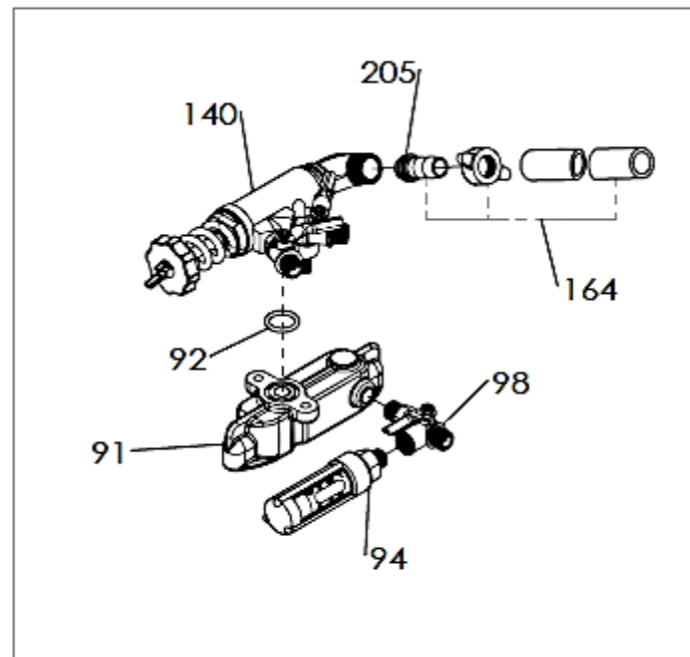
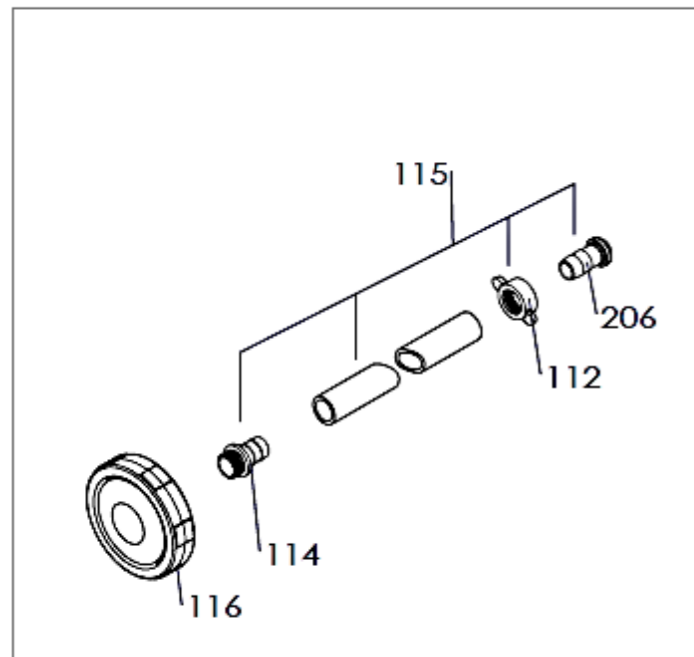
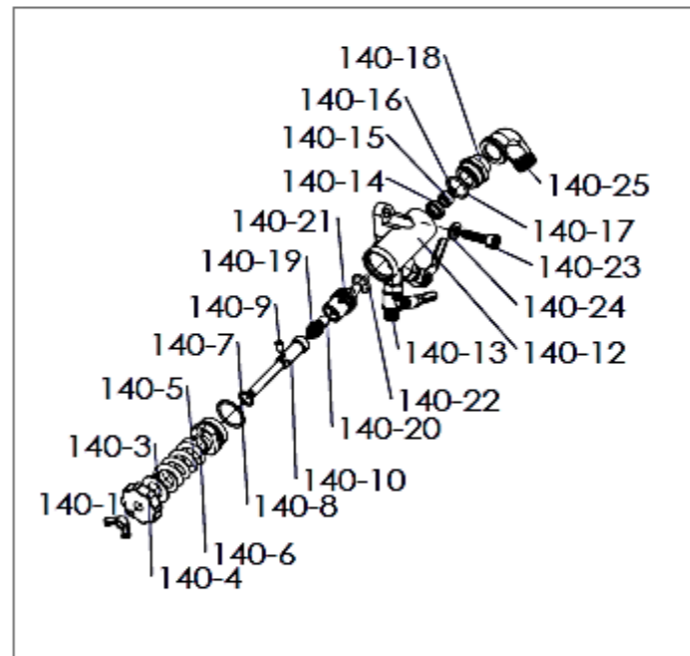
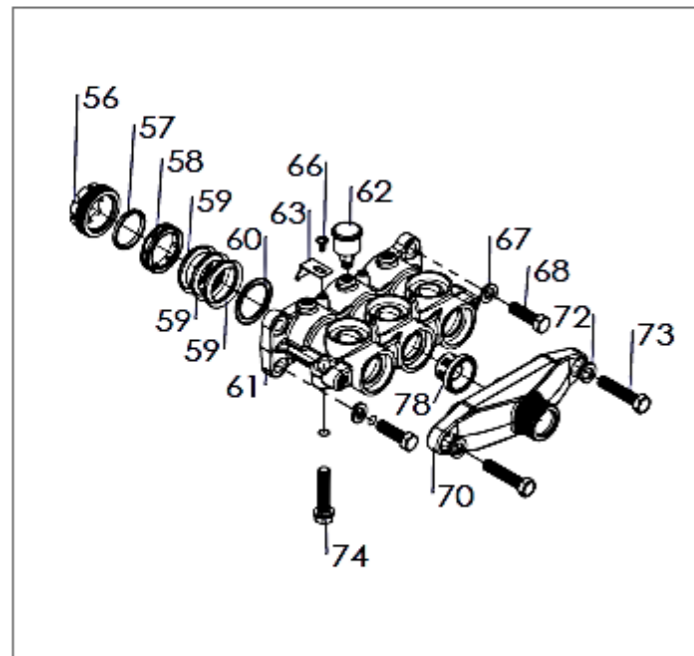
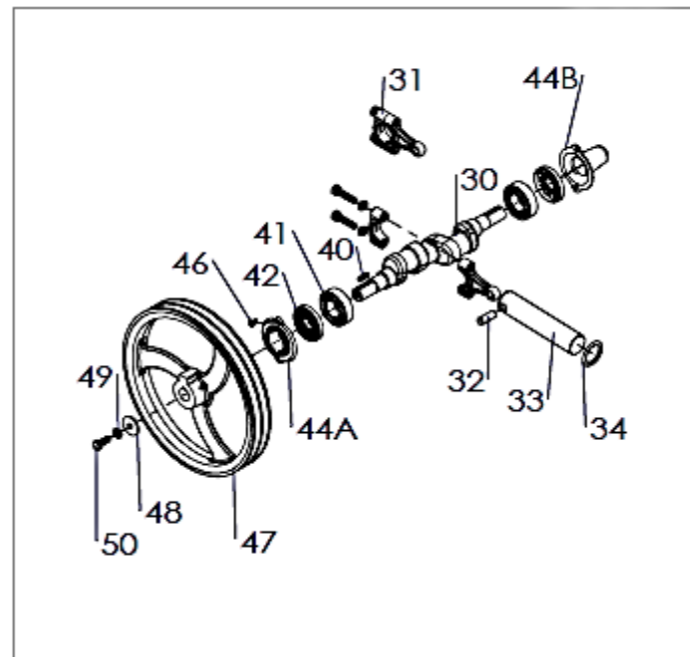
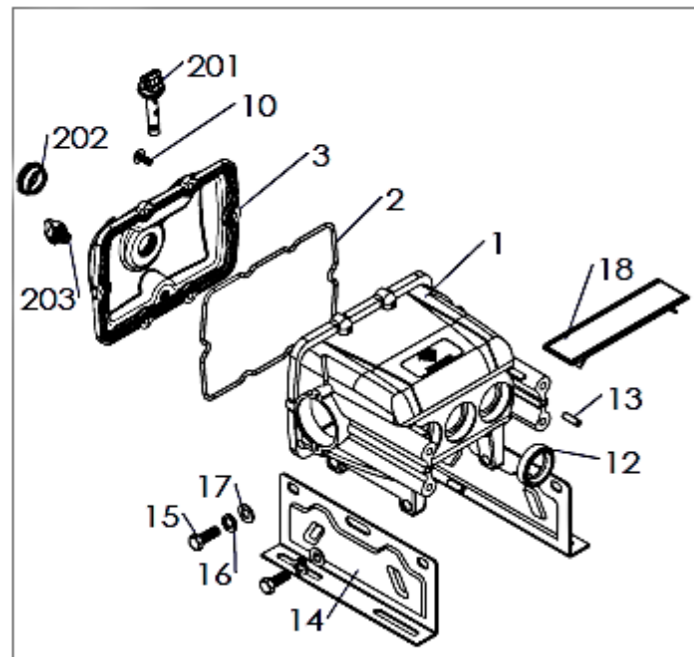
8. Warranty

- Warranty : This warranty involves any failure parts produced or supplied by manufacturer when failure part caused any abnormal performance. During warranty period, the manufacturer offer free maintenance.
 - No service charge and expense of replaced part are required with warranty.
 - Warranty period : One year after delivery.
- The manufacturer is not responsible for damage provokes in case of:
 - A serious lack of foreseen maintenance.
 - Damages caused by the nature disaster such as earthquake.
 - Modifications or intervention that are not authorized by the manufacturer.
 - Non-normative uses that contrary to the specific.
 - The use of non-original spare parts and assigned oil for the pump.
 - Natural aging situation such as rust on surface caused by time.
 - Not inquire to factory or your local distributor when damage occurs.
 - The performance is still good base on power sprayer's registered spec. even some noise or vibration show up.
 - Using the pump without following the instructions of this manual.
- The manufacturer is not responsible for expense provoked in case of:
 - Losing of failure parts during warranty application.
 - Any direct and/or indirect lose comes from warranty items.
 - Regarding to warranty, all seals, packing, O-rings and oil are excluded.



TANONG PRECISION TECHNOLOGY CO., LTD.

No.6, Fengming Rd., Daya Dist., Taichung City
428, Taiwan (R.O.C.)
Tel : +886-4-25662106
Fax: +886-4-25662109
web:www.tanong.com.tw
E-mail: info@tanong.com.tw



Pos.	Parts No.	Parts Name	Q'ty	Specification	Pos.	Parts No.	Parts Name	Q'ty	Specification
1	010-5800-242	Crank case	1		74	140-0308-004	Bolt	2	3/8"×55+S
2	013-1000-000	Gasket, crank case	1		78	080-2800-001	Valve Ass'y	6	
3	011-1000-241	Cover, crank Case	1		91	050-5800-223	Discharge Metal	1	
10	142-0600-003	Screw	6	6×15+S	92	120-1824-000	O-ring	1	18×3
12	130-5800-000	Oil Seal, plunger	3	30×42×10	94	055-2200-201	Pressure Gauge	1	
13	012-2200-000	Pin	2		98	051-5800-000	T-Cock	1	
14	018-2800-270	Stand, crank case	2		112	057-2800-000	Coupling	1	1"
15	140-0308-001	Bolt	4	3/8×1"	114	032-2800-260	Hose barb	1	1"
16	144-0308-001	Washer, Spring	4	3/8"	115	A03-S010-085	Suction Hose	1	1"×8.5'
17	145-0308-001	Washer	4	3/8"×19	116	033-2800-000	Strainer Ass'y	1	
18	016-2800-260	Plunger Cover	1		140	940-AP30-000	AP pressure regulating valve	1	AP-30
30	020-5800-220	Crank Shaft	1		140-1	146-0516-004	Nut	1	5/16"
31	021-5800-240	Connecting Rod	3		140-3	218-AP30-000	Nut	1	AP30
32	023-5800-000	Plunger Pin	3		140-4	217-AP30-000	Wash	1	AP30
33	022-5800-002	Plunger	3		140-5	216-AGV2-000	Spring	1	AGV-20
34	027-5800-000	Stopping Ring, Water	3		140-6	212-AP30-000	Joint	1	AP30
40	025-2800-000	Key	1		140-7	120-2732-000	O-ring	1	26.64×2.8
41	024-2800-001	Bearing	2		140-8	120-1217-001	O-ring	1	11.8×2.4
42	131-2800-000	Oil Seal, Crank Shaft	2	20×52×8	140-9	140-0600-020	Screw	1	M6×10L
44A	026-2200-001	Cover, Oil Seal-A	1		140-10	213-AP30-000	Release Spindle	1	AP30
44B	026-2200-002	Cover, Oil Seal-B	1		140-12	200-AP30-000	Pressure regulator Body	1	AP30
46	142-0316-001	Screw	4	3/16×3/8"	140-13	051-2800-000	Cock	2	1/4"×8.5mm
47	A04-10A2-242	Pulley	1		140-14	203-AGV3-000	Seat	1	AP30
48	145-2800-000	Washer	1		140-15	066-AGV3-290	Return valve	1	AP30
49	144-0516-001	Washer, Spring	1	5/16"	140-16	146-0600-007	Nut	1	M6
50	140-0516-001	Bolt	1	5/16×3/4"	140-17	120-2025-001	O-ring	1	20×2.5
56	044-5800-001	Adjusting ring	3		140-18	204-AP30-000	Joint	1	AP30
57	041-5800-000	Grease Packing	3		140-19	210-AP30-000	Spring	1	AP30
58	042-5800-001	Grease Ring	3		140-20	067-AP30-250	Ball Valve	1	AP30
59	043-5800-001	V-Packing	3		140-21	207-AP30-000	Check valve sleeve	1	AP30
	043-5800-002	V-Packing	6		140-22	120-1823-000	O-ring	1	18×2.5
60	045-5800-000	V-Packing Seat	3		140-23	140-0516-014	Bolt	2	5/16×1"(AP)
61	040-5800-220	Cylinder	1		140-24	144-0516-001	Washer, Spring	2	M8/5/16"
62	046-2800-000	Grease Cup	3		140-25	059-C201-010	Joint	1	PT1/2×PT1/2×L
63	047-5800-000	Baffle	2		162	057-1600-000	Coupling	1	1/2"
66	142-0316-001	Screw	2	3/16×3/8"	164	A03-O004-085	Over Flow Hose	1	1/2"×8.5'
67	144-0308-001	Washer, Spring	4	3/8"	201	923-2204-002	Oil Plug & O-ring	1	
68	140-0308-002	Bolt	4	3/8×1 1/4"	202	924-1000-000	Oil Gauge & Gasket	1	PF3/4-14
70	030-5800-220	Suction Metal	1		203	925-2200-001	Plug, Fuel Drain & Gasket	1	
72	144-0308-001	Washer, Spring	2	3/8"	205	031-1600-002	Hose barb & Packing	1	1/2"
73	140-0308-003	Bolt	2	3/8×1 3/4"	206	031-2800-002	Hose barb & Packing	1	1"